

Applicable Model

A02

Drawing Title

Access Control Panel

Drawing Unit

mm

Drawing Scale

Not to scale

**DRAFT
SUBJECT TO
CHANGE**

Last Revised

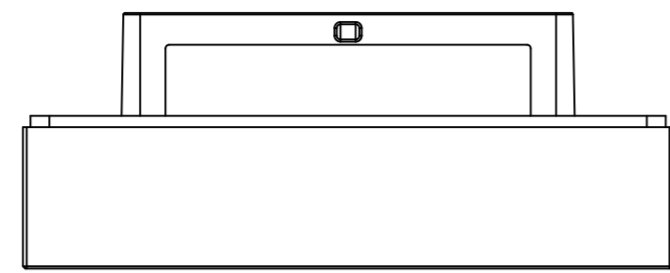
Mar 03,2022

Drawing Version

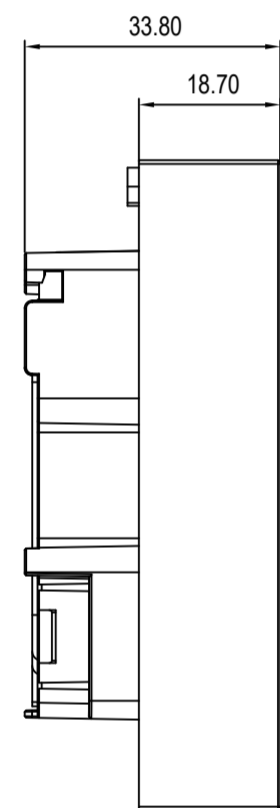
V1.0

Page

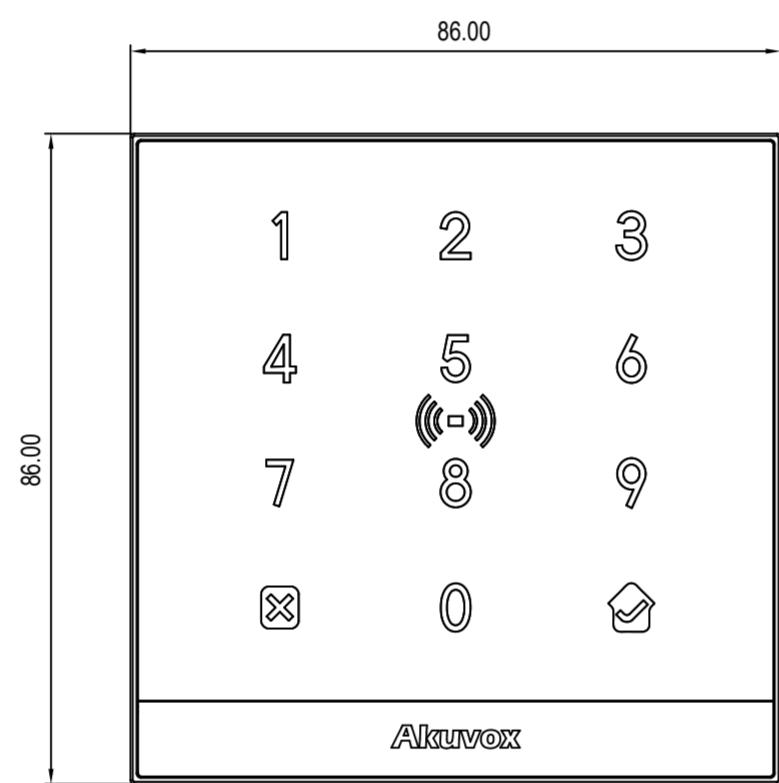
1 of 6



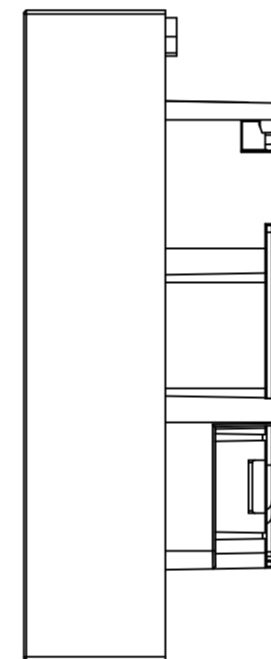
5 **TOP VIEW**



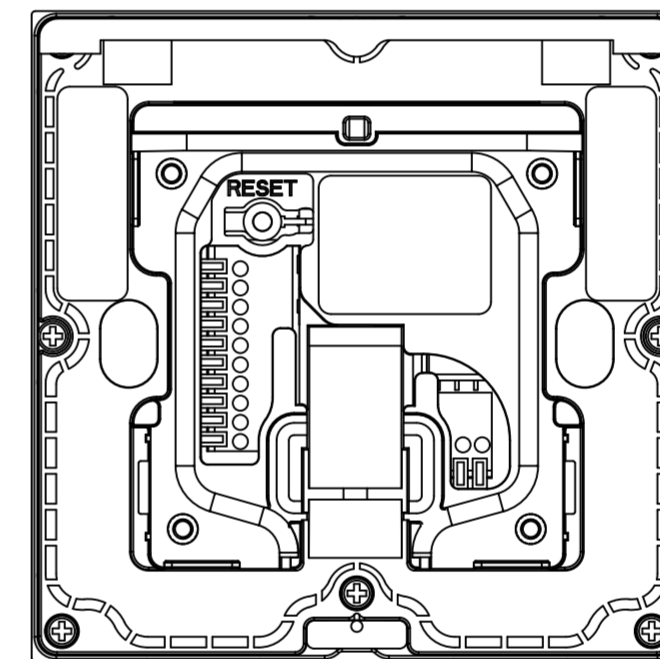
2 **RIGHT VIEW**



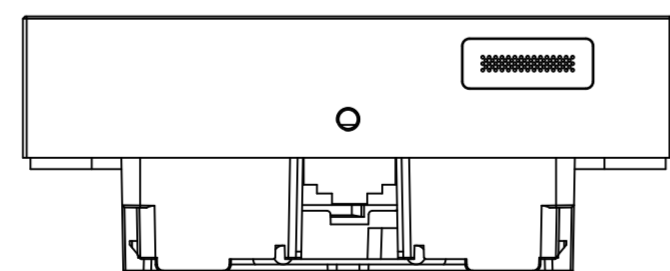
1 **FRONT VIEW**



3 **LEFT VIEW**



4 **BACK VIEW**



6 **BOTTOM VIEW**

Applicable Model

A02

Drawing Title

Wall Mounting Bracket

Drawing Unit

mm

Drawing Scale

Not to scale

**DRAFT
SUBJECT TO
CHANGE**

Last Revised

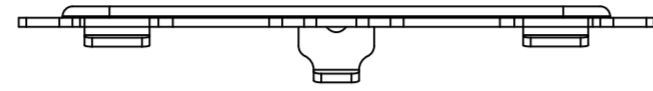
Mar 03,2022

Drawing Version

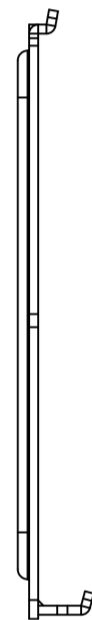
V1.0

Page

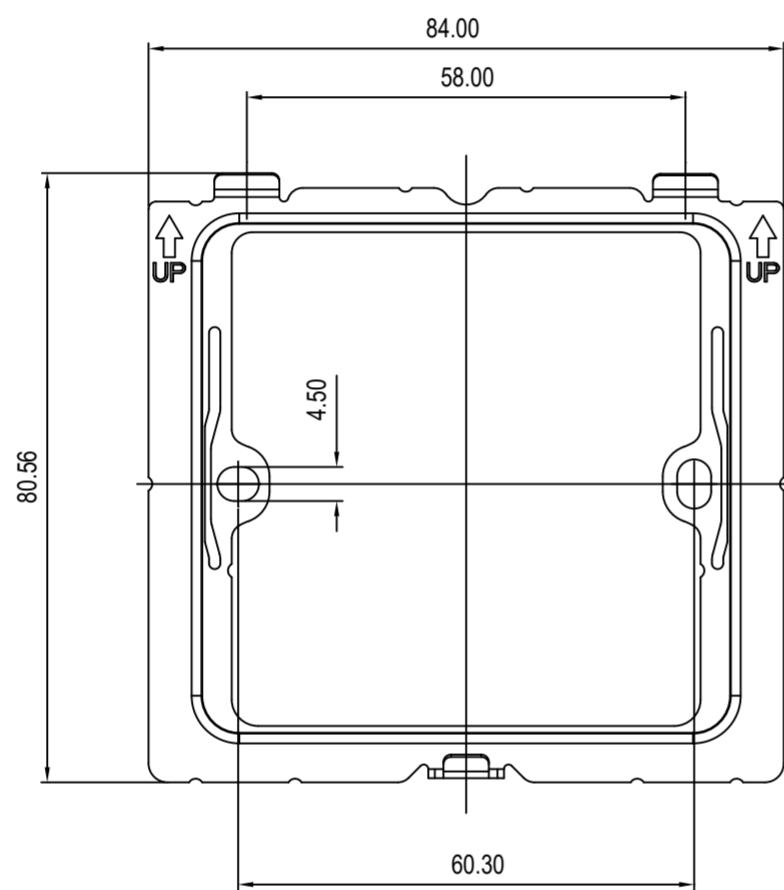
2 of 6



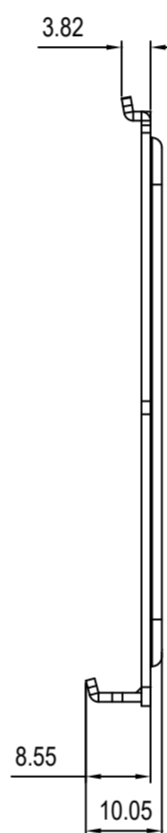
5 **TOP VIEW**



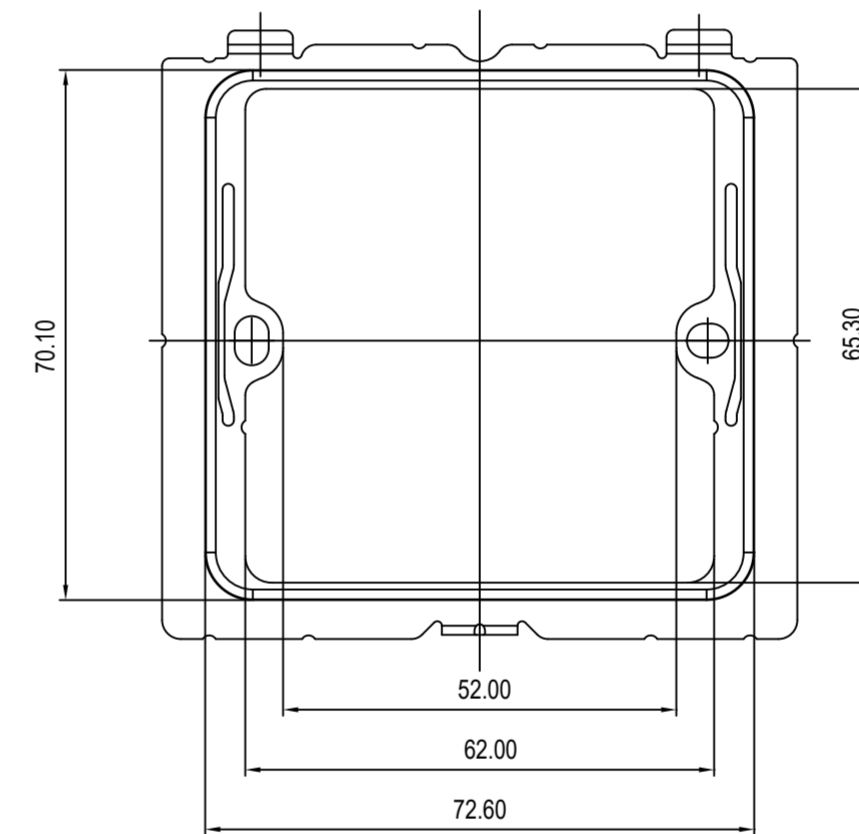
2 **RIGHT VIEW**



1 **FRONT VIEW**



3 **LEFT VIEW**



4 **BACK VIEW**



6 **BOTTOM VIEW**

Applicable Model

A02

Drawing Title

Flush Mounting Box

Drawing Unit

mm

Drawing Scale

Not to scale

**DRAFT
SUBJECT TO
CHANGE**

Last Revised

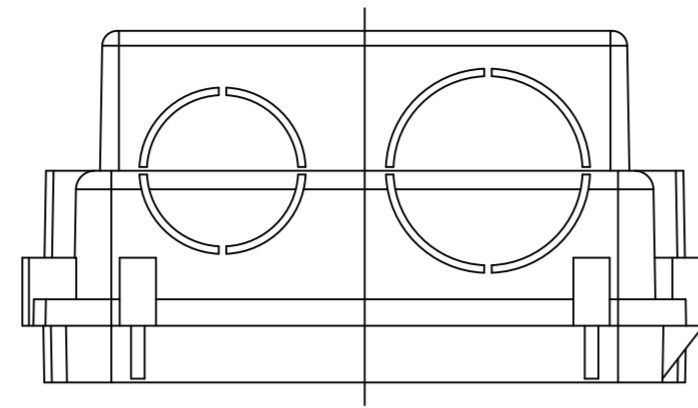
Mar 03,2022

Drawing Version

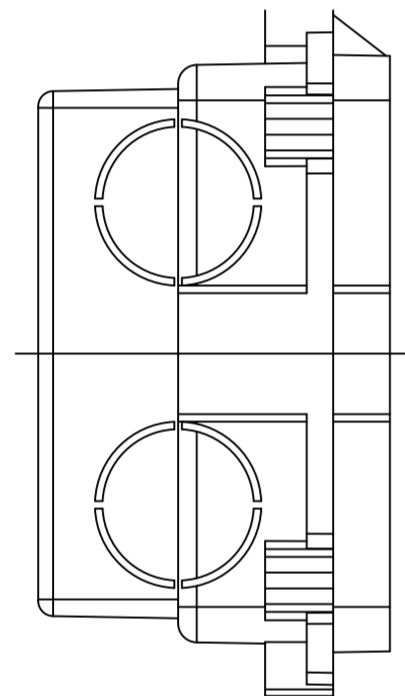
V1.0

Page

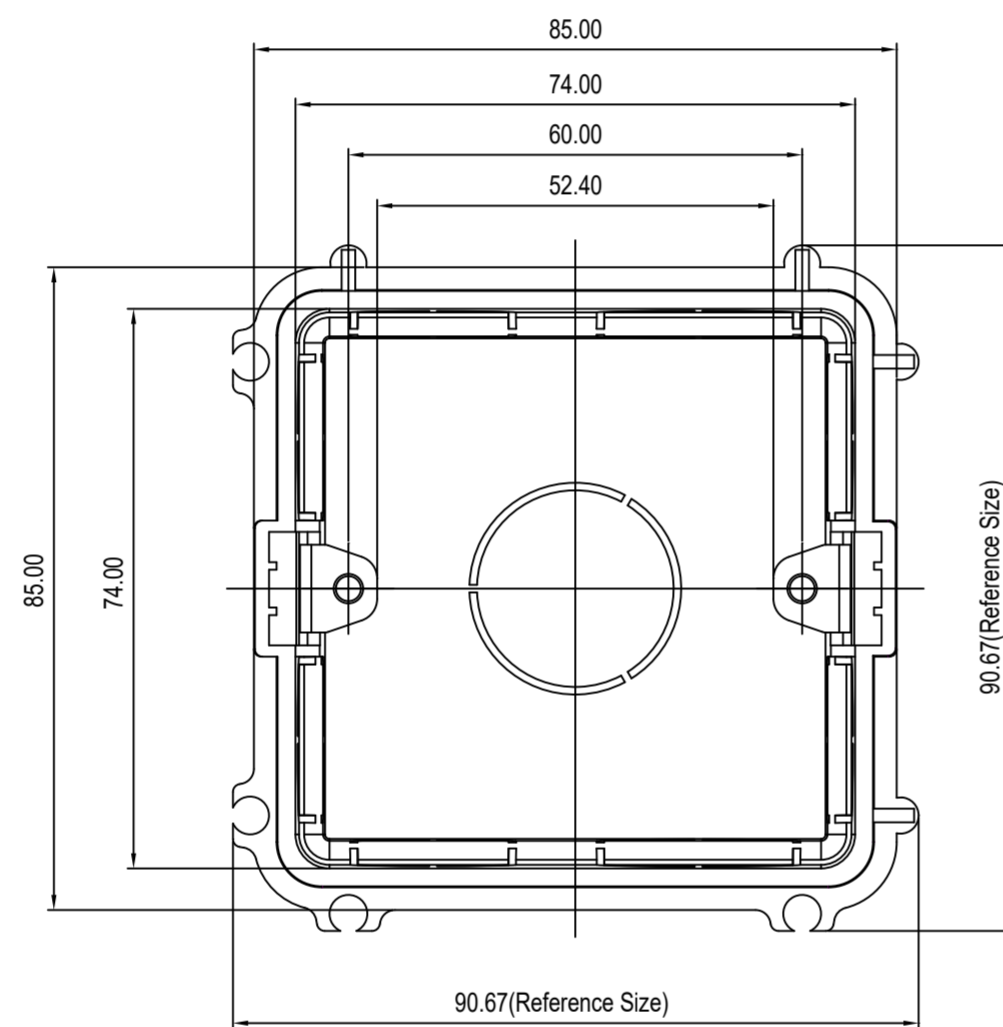
3 of 6



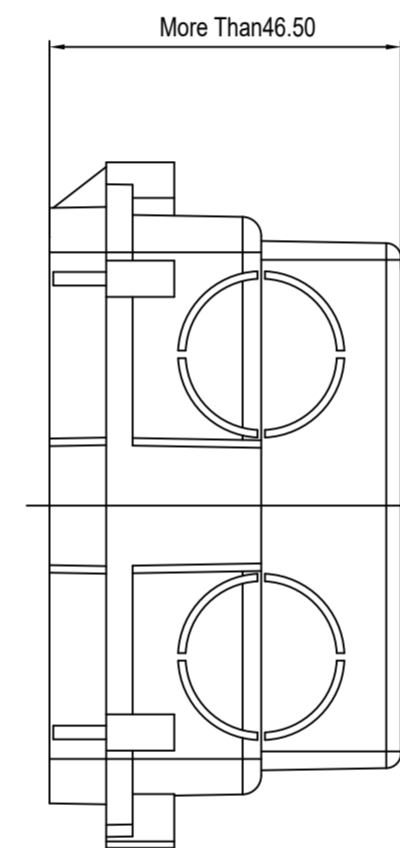
5 TOP VIEW



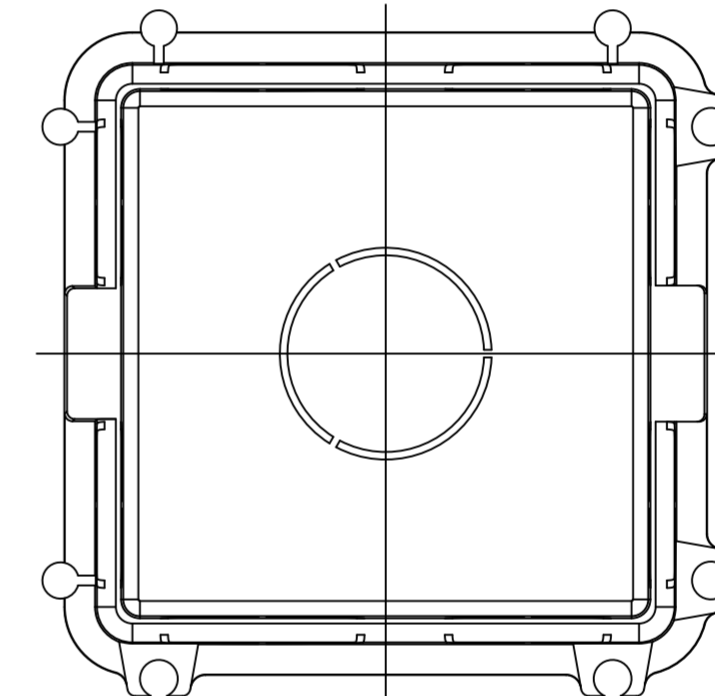
2 RIGHT VIEW



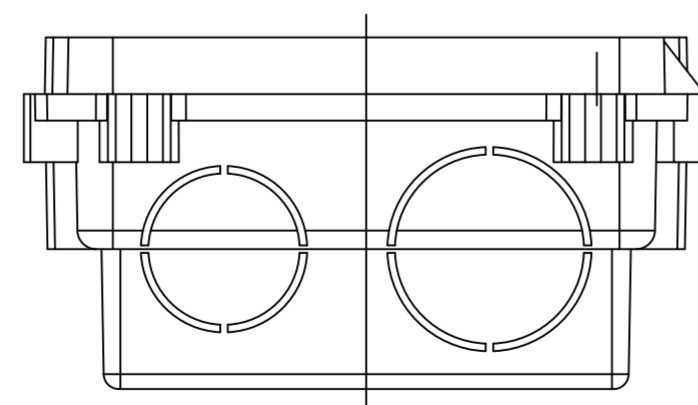
1 FRONT VIEW



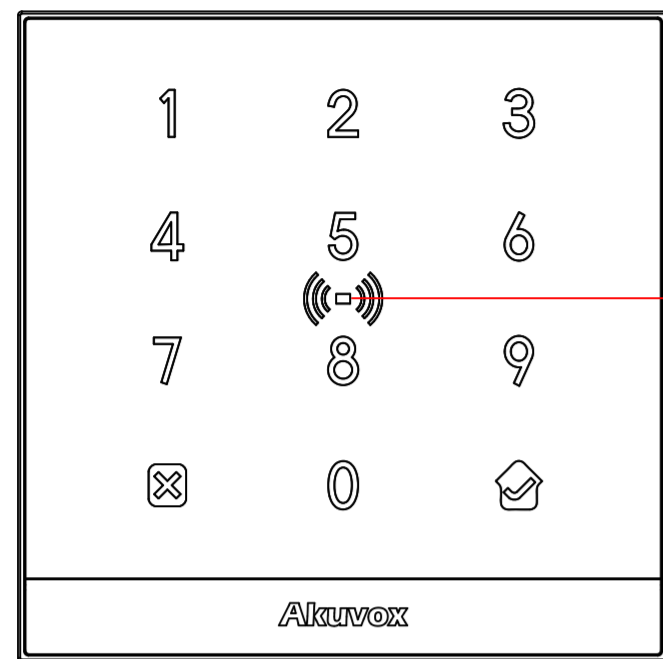
3 LEFT VIEW



4 BACK VIEW



6 BOTTOM VIEW

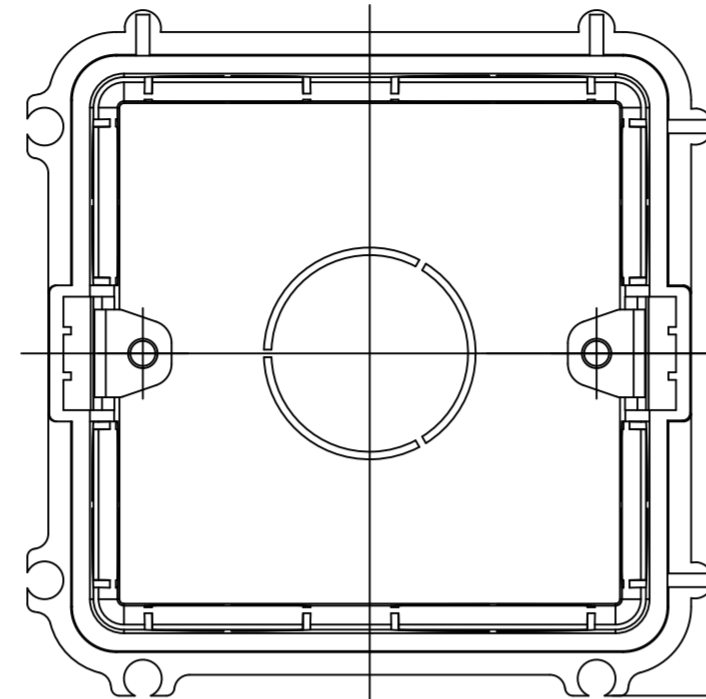
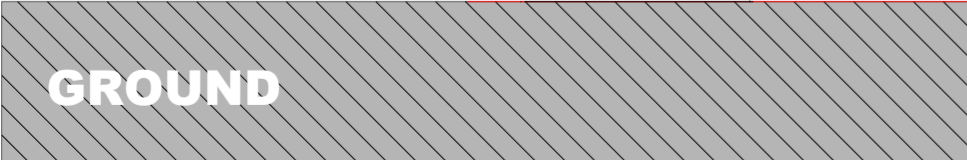


1 INTERCOM PANEL FRONT VIEW

1100mm MAX TO BOTTOM OF PANEL

1148mm MAX TO CENTER OF USABLE PARTS

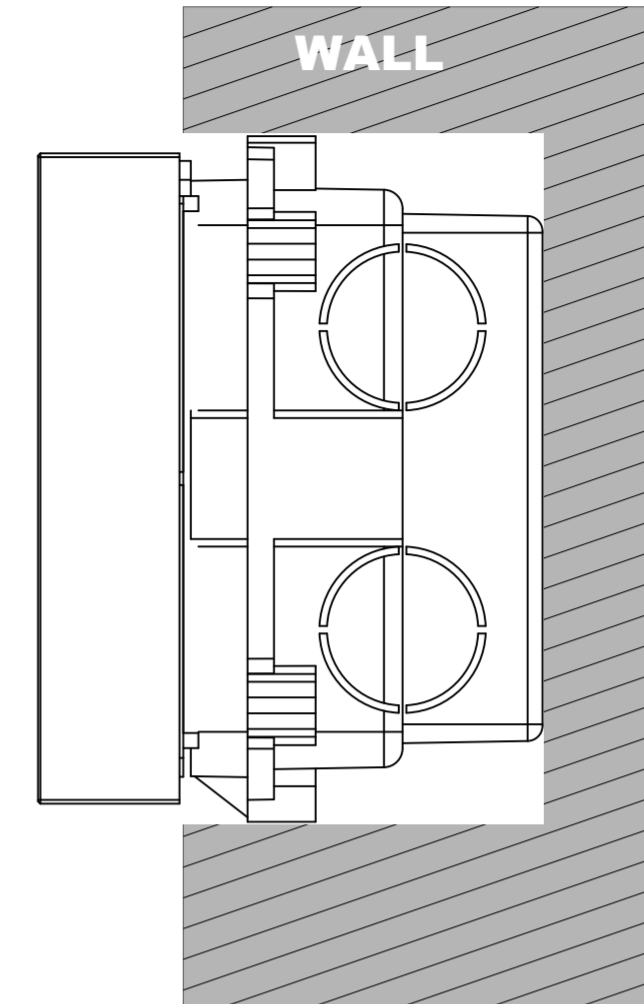
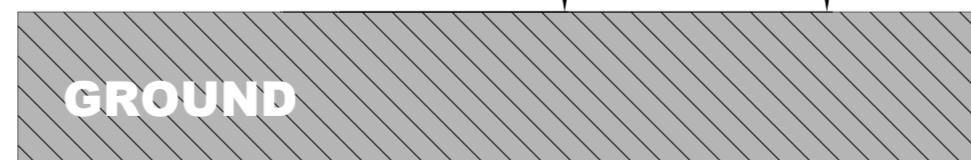
ADA Compliance Requirement



2 FRONT VIEW:FULL MOUNTING BOX PLACEMENT

1095.33mm MAX TO BOTTOM OF BRACKET

1143mm MAX TO SCREW HOLE CENTER OF BRACKET



3 SIDE VIEW:INTERCOM PANEL IN WALL

Applicable Model

A02

Drawing Title

Placement

Drawing Unit

mm

Drawing Scale

Not to scale

**DRAFT
SUBJECT TO
CHANGE**

Last Revised

Mar 03,2022

Drawing Version

V1.0

Page

4 of 6

Applicable Model

A02

Drawing Title

Wall Mounting Box

Drawing Unit

mm

Drawing Scale

Not to scale

**DRAFT
SUBJECT TO
CHANGE**

Last Revised

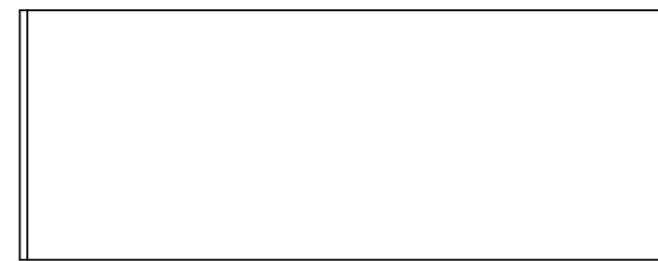
Mar 03,2022

Drawing Version

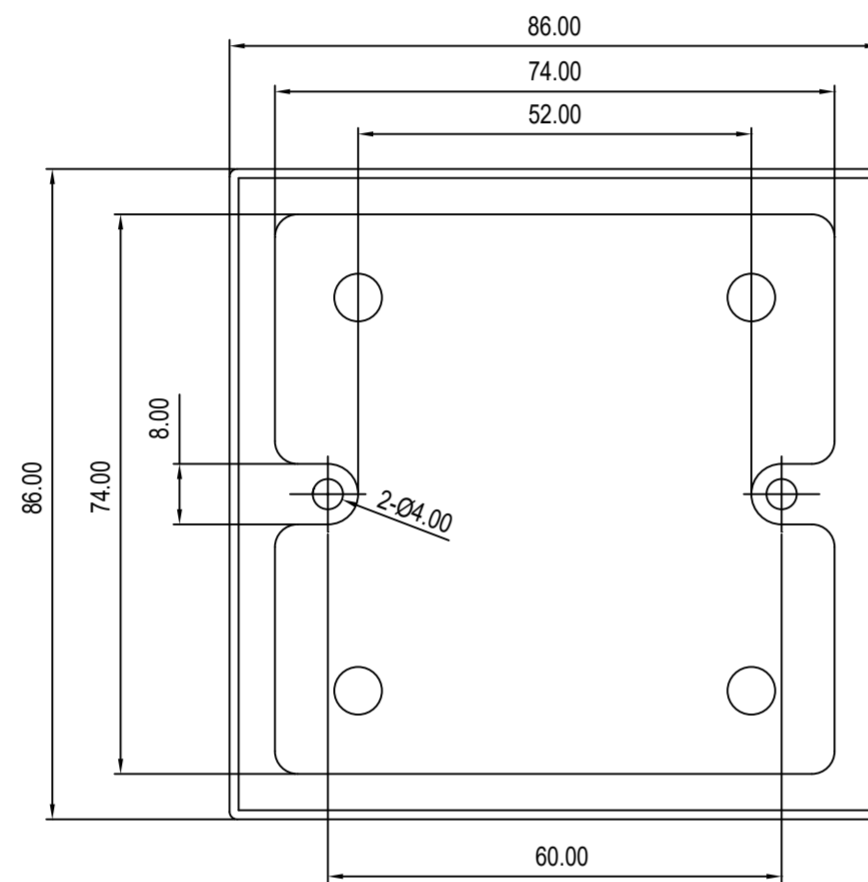
V1.0

Page

5 of 6



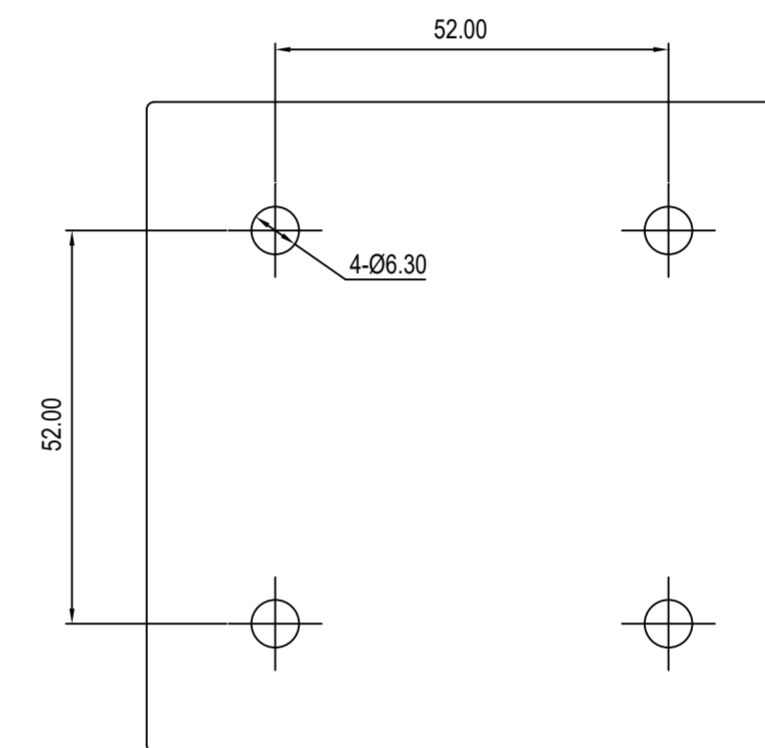
5 **TOP VIEW**



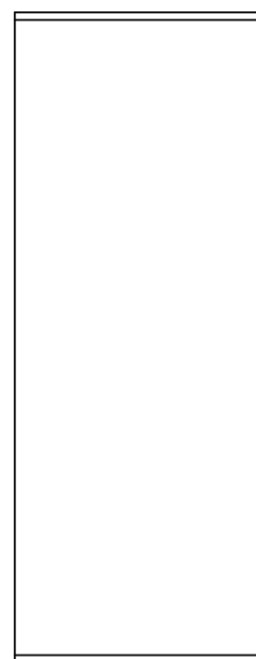
1 **FRONT VIEW**



3 **LEFT VIEW**



4 **BACK VIEW**



2 **RIGHT VIEW**



6 **BOTTOM VIEW**

Applicable Model

A02

Drawing Title

Placemenet

Drawing Unit

mm

Drawing Scale

Not to scale

**DRAFT
SUBJECT TO
CHANGE**

Last Revised

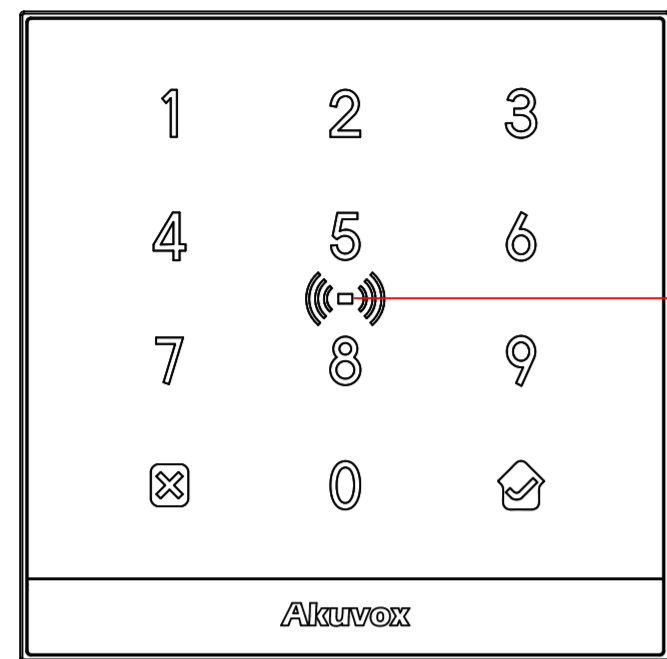
Mar 03,2022

Drawing Version

V1.0

Page

6 of 6

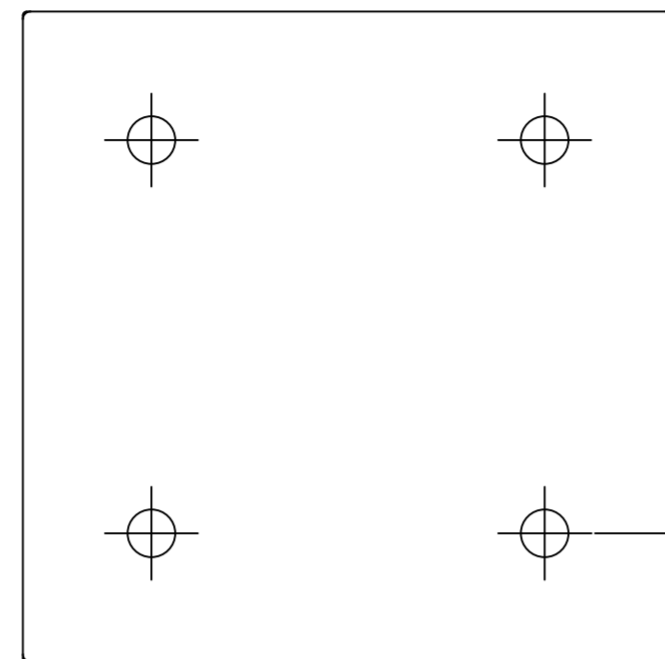
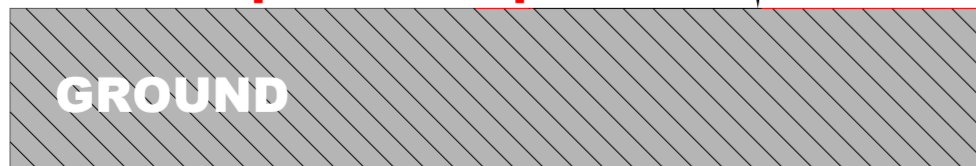


1 INTERCOM PANEL FRONT VIEW

1100mm MAX TO BOTTOM OF PANEL

1148mm MAX TO CENTER OF USABLE PARTS

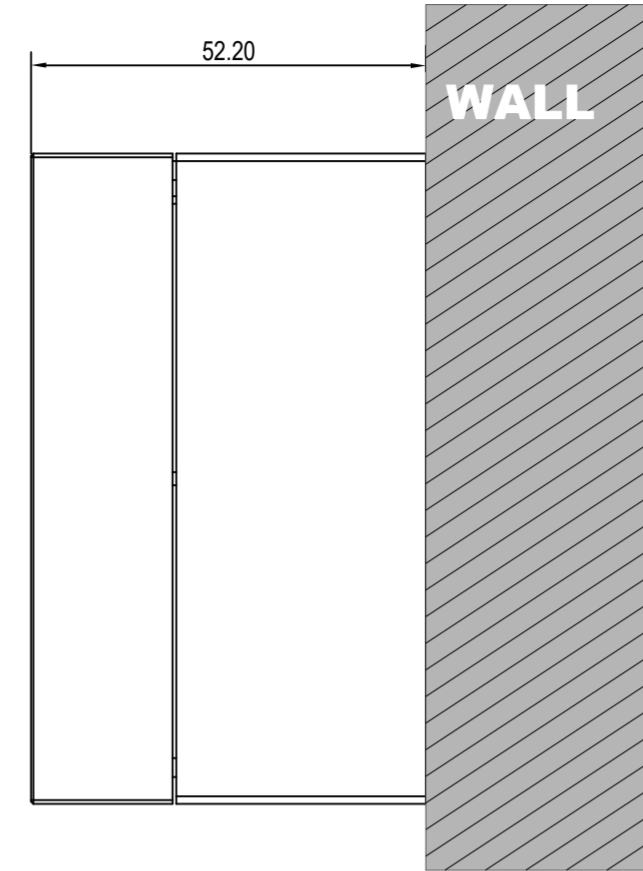
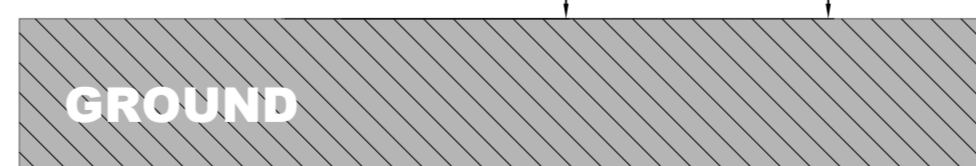
ADA Compliance Requirement



2 FRONT VIEW:WALL MOUNTING BOX PLACEMENT

1100mm MAX TO BOTTOM OF BRACKET

1117mm MAX TO SCREW HOLE CENTER OF BRACKET



3 SIDE VIEW:INTERCOM PANEL ON WALL